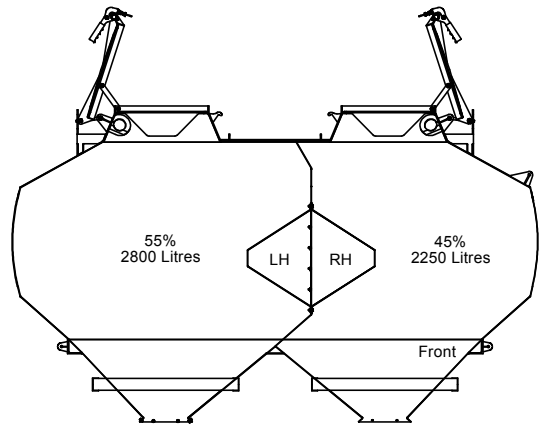
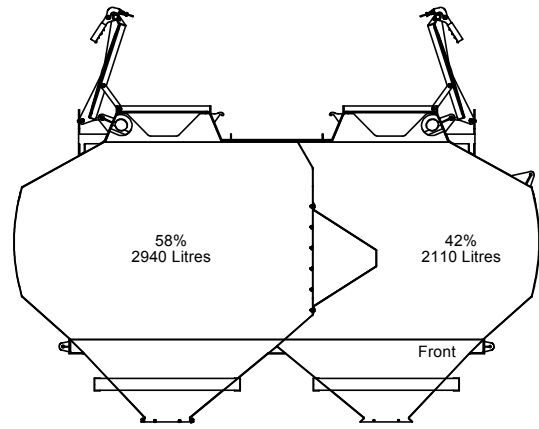


1	2	3	4	5	6	7	8	9	10	11	12
REV.	ECN	DATE	BY	DESCRIPTION							

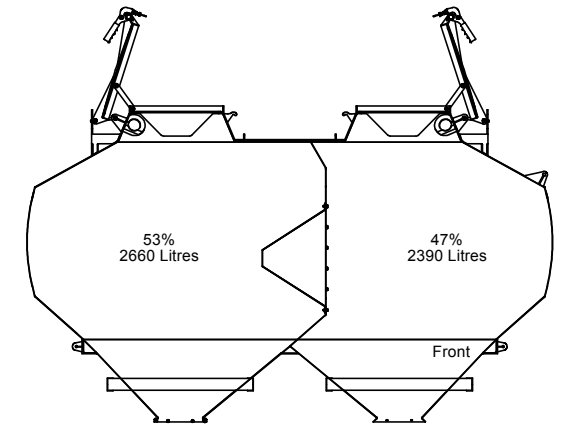
DO NOT SCALE - IF IN DOUBT ASK



**Split #1**



**Split #2**



**Split #3**

**5000 Double Bin**  
 Total Usable Volume  
**5050 Litres**

**Fabrication Note**

Finish:

**General Tolerances**

Linear Dimensions  
 X ±1mm (whole numbers)  
 X.X ±0.5mm (one decimal place)  
 X.XX ±0.25mm (two decimal places)

Angular Dimensions  
 All Angles ±0.5°

This drawing is the property of  
 Simplicity (Australia) Pty. Ltd.  
 It must not be used for any  
 purpose other than that for  
 which it is supplied.  
 Reproduction in whole or  
 part is prohibited without  
 written authority from  
 Simplicity (Australia) Pty. Ltd.

DRN: HC  
 DATE: 5/02/2015  
 APPRD:  
 DATE: / /  
 SCALE: 1:40

<b>SIMPLICITY (AUSTRALIA) PTY LTD</b>			
<small>18 LOUDOUN RD DALBY 4405 PH (07) 4660 6000 Engineering FAX (07) 4660 6050</small>			
<b>Simplicity Air Seeder</b>			
<b>01 - Bin Assemblies - Bin Sub Assemblies</b>			
<b>Bin 5000 Double Sub Assembly</b>			
DRAWING NUMBER		REV	SHEET
<b>5000 Double Bin Splits</b>		00	1 OF 1
			<b>A4</b>